

PREFACE

About this manual

This manual is designed to assist you in setting up and using the LCD Monitor. Information in this document has been carefully checked for accuracy; however, no guarantee is given to the correctness of the contents. The information in this document is subject to change without notice. This document contains proprietary information protected by copyright. All rights are reserved. No part of this manual may be reproduced by any mechanical, electronic or other means, in any form, without prior written permission of the manufacturer.

Copyright

© Copyright 1999, All Rights Reserved

FCC Compliance Statement

This equipment has been tested and found to comply with the limits for a Class B digital device, pursuant to Part 15 of the FCC Rules. These limits are designed to provide reasonable protection against harmful interference in a residential installation. This equipment generates, uses, and can radiate radio frequency energy, and, if not installed and used in accordance with the instructions, may cause harmful interference to radio communications. However, there is no guarantee that interference will not occur in a particular installation. If this equipment does cause harmful interference to radio or television reception, which can be determined by turning the equipment off and on, the user is encouraged to try to correct the interference by one or more of the following measures:

- Reorient or relocate the receiving antenna.
- Increase the separation between the equipment and the receiver.
- Connect the equipment into an outlet on a circuit different from that to which the receiver is connected.
- Consult the dealer or an experienced radio/TV technician for help.

Any changes or modifications not expressly approved by the manufacturers may void the user's authority to operate this equipment.



NOTE:

A shielded-type power cord is required in order to meet the FCC emission limits and also to prevent interference to the radio and television reception. It is essential that only the supplied power cord be used.

Use shielded cables only to connect I/O devices to this equipment.

Canadian DOC Notice

For Class B Computing Devices



This Class B digital apparatus meets all requirements of the Canadian Interference-Causing Equipment Regulations.

Cet appareil numérique de la classe B respecte toutes les exigences du Règlement sur le matériel brouilleur du Canada.

Cet appareil numérique de la classe B respecte toutes les exigences du Règlement



Important Safety Instructions

Please read the following instructions carefully. This manual should be retained for future use.

1. To clean LCD Monitor screen, first, make sure the Monitor is in the power off mode. Unplug the Monitor from its power source before cleaning it. Do not spray liquid cleaners directly onto the unit. Stand away from LCD Monitor and spray cleaning solution onto a rag. Without applying excess pressure, clean the screen with the slightly dampened rag.
2. Do not place LCD Monitor near a window. Exposing the Monitor to rain, water, moisture or sunlight can severely damage it.
3. Do not lay anything on top of Monitor-to-PC signal cord. Make sure the cord is placed in an area where it will not be stepped on.
4. Do not apply pressure to LCD screen. Excess pressure may cause permanent damage to the display.
5. Do not remove the cover or attempt to service this unit by yourself. You may void your warranty. Servicing of any nature should be performed only by an authorized technician.
6. Safe storage of LCD Monitor is in a range of $-20 \sim 60^{\circ}\text{C}$ (or $-4 \sim 140^{\circ}\text{F}$). Storing LCD Monitor outside this range could result in permanent damage.
7. If any of the following occurs, immediately unplug your Monitor and call an authorized technician.
 - Monitor-to-PC signal cord is frayed or damaged.
 - Liquid has been spilled into LCD Monitor, or it has been exposed to rain.
 - LCD Monitor has been dropped or the case has been damaged.

Contents Of This Manual

Chapter 1 : Quick Installation	1
Chapter 2 : Installation	
2.1 Unpacking	2
2.2 Mount LCD Monitor	3
2.3 Viewing Angle Setting	4
2.4 Seperating LCD Monitor from Its stand(if necessary)	5
2.5 Positioning	6
2.6 Screw Monitor Interface for Arm Applications	6
2.7 Connecting to computer	7
2.8 Connecting AC Power	8
2.9 Connecting the Stereo Speakers	9
2.10 Setting Up The LCD Monitor	10
2.11 Power Management System	10
Chapter 3 : Display Controls	
3.1 User Controls and Indicator	11



CHAPTER 1

Quick Installation

1. Read **Important Safety Instructions** section thoroughly (on page iii, Preface of this manual) before installing LCD Monitor.
2. Make sure your computer system and LCD Monitor are both turned off before any cable connection started.
3. Connect signal cable to the computer.
4. Connect the power cord into the jack of LCD Monitor and plug the other end of power cord into a wall socket.
5. Turn the computer on.
6. Turn on LCD Monitor AC power switch located at the rear of monitor first and then DC power switch at the front bezel.

And now that, installation has been completed enjoy your LCD Monitor .



Installation

2.1 Unpacking

Before you unpack LCD Monitor, prepare a suitable workspace for your Monitor and computer. You need a stable and clean surface near a wall power outlet. Also ensure that LCD Monitor has enough space around it to allow for airflow. Even though LCD Monitor uses very little power, some ventilation is needed to ensure that the Monitor doesn't become too hot.

After you unpack LCD Monitor, make sure the following items are included in the box and in good condition.

- ◆ LCD Monitor
- ◆ LCD Monitor stand
- ◆ 1.5M Stereo Jack Audio Cable
- ◆ Power cord
- ◆ ATI VGA card
- ◆ This user's manual

If you find that any of these items is missing or appears damaged, contact your dealer immediately. Do not throw away the packing material or shipping carton in case you need to ship or store LCD Monitor in the future.

2.2 Mounting LCD Monitor



To mount LCD Monitor onto its stand, please refer to the following instructions: (Please see *Figure 2-2*.)

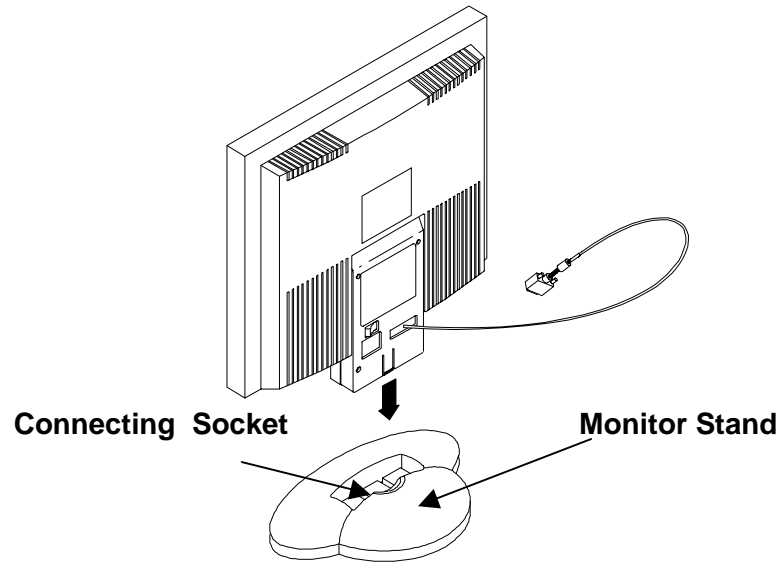


Figure 2-2

1. Turn both LCD Monitor and computer off before connecting Monitor onto its stand. Disconnect LCD Monitor's AC power cord.
2. With both hands, guide LCD Monitor along the sides of connecting socket until it is firmly connected to monitor stand.

2.3 Viewing Angle Setting



Your LCD Monitor was designed to allow you to have comfortable viewing angle setting adjustment. Angle setting can be adjusted to the top (0° to 20°) and to the left/right 90 degrees (0° to 90°) each. (Please see *Figure 2-3*)

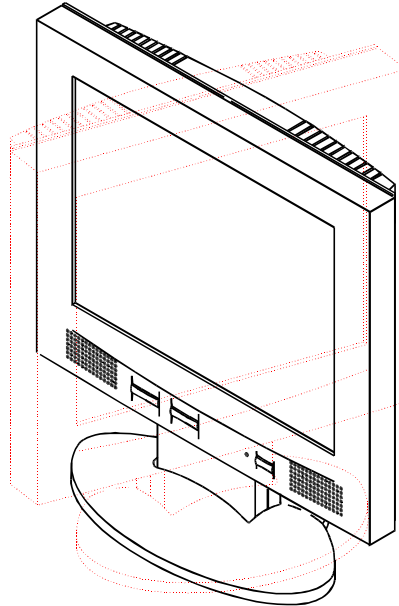


Figure 2-3

Warning!

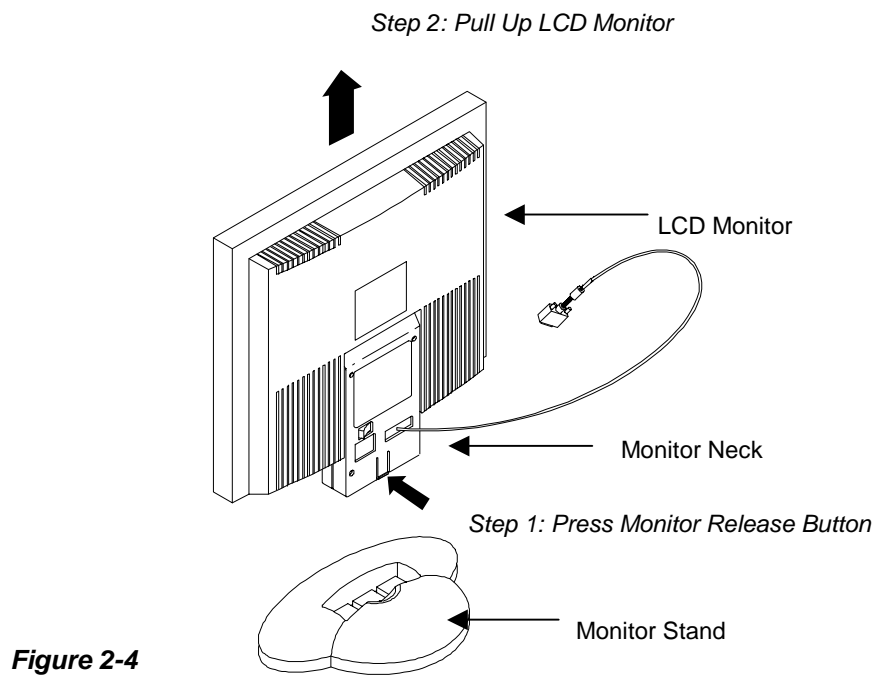


Do not force LCD Monitor past it's maximum extension in all four directions (forward & backward) . In such attempt, you will damage the Monitor and its stand.

2.4 Separating LCD Monitor from Its Stand (if necessary)

Another ergonomic feature incorporated into the design of your LCD Monitor is that it can be mounted either on its stand or on a shelf, wall, or any other convenient location. For illustration on how to separate LCD Monitor from its stand, please see *Figure 2-4* and refer to following steps:

1. It is recommended that you turn both LCD Monitor and your computer off first before separating LCD Monitor from its stand. Disconnect the LCD Monitor's AC power jack.
2. Grip the top of LCD Monitor with one hand. Press the Monitor release button on back of the Monitor with the other hand. Slowly but firmly pull the Monitor off its stand.



2.5 Positioning



Take a moment to prepare a suitable place to set up your workstation. You need a stable flat dust-free surface with good ventilation. Even though LCD Monitor has been designed using components that don't use much power, they still generate quite a bit of heat. Set up your LCD Monitor so that the screen doesn't face a window where sunlight often comes in. The reflection of sunlight makes LCD Monitor screen difficult to read or view.

Warning!



- When positioning the equipment, make sure that the main ports and sockets are easily accessible.
- Do not place your LCD Monitor close to a heat source.
- Do not place the LCD Monitor in direct sun light or near a window. Moisture and direct sunlight exposure may cause LCD monitor serious damage.

2.6 Screw Mounting Interface for Arm Applications

This LCD monitor integrates four 4 mm, .7 pitch threaded nuts into rear of monitor along with 5 mm access holes in plastic cover as illustrated in *Figure 2-6* that meets *VESA Flat Panel Monitor Physical Mounting Interface Standard* described in Chapter 2.1 & 2.1.3, version 1 and dated 11/13/97.

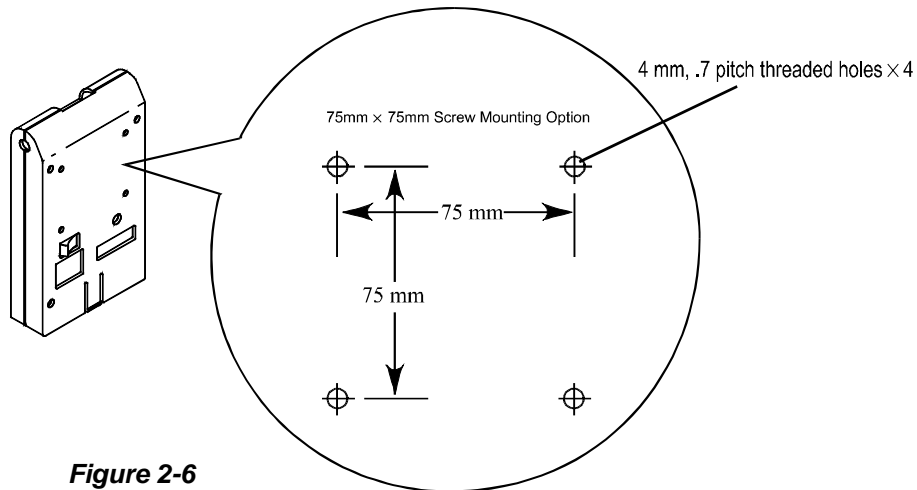


Figure 2-6

2.7 Connecting to computer



Please refer to *Figure 2-7* and following instructions for connecting LCD Monitor to computer:

1. Turn off your computer and LCD Monitor first.
2. The signal cable is found at the rear side of the LCD Monitor.
3. Connect the signal cable to VGA port on PC.
4. Make sure the connection which you just made are secure. Tighten the connecting screws to ensure a secure connection

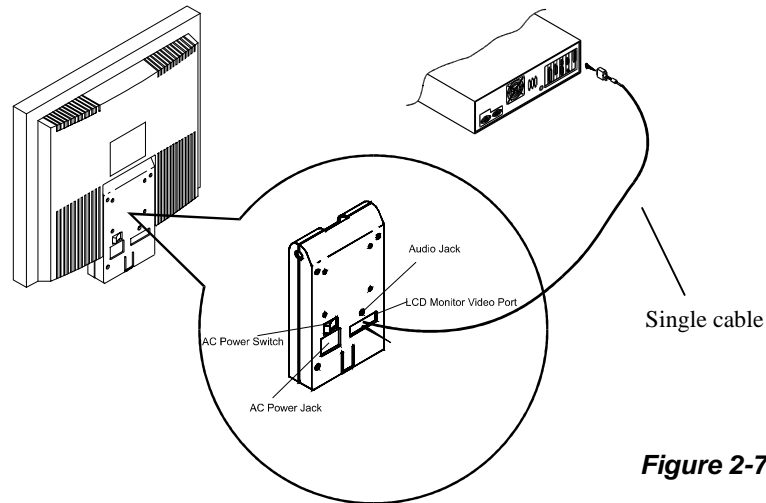


Figure 2-7

Attention! Ferrite Core on the Video Cable



This device must be connected to an off-the-shelf video cable in order to comply with FCC regulations. A ferrite-loaded interface cable is included in the LCD Monitor package. Please attach the cable as shown in Figure 2-7. This device will not be in compliance with FCC regulations unless the ferrite-loaded video cable is used.

2.8 Connecting AC Power



Please refer to *Figure 2-8* and following instructions for connecting AC power to LCD Monitor.

1. Connect the power cord into the jack of LCD Monitor. The power jack is located at the rear of the Monitor next to the Monitor's video port.
2. Plug the other end of the power cord into a wall socket. The plug on the power cable will vary according to the electrical standard for your area.

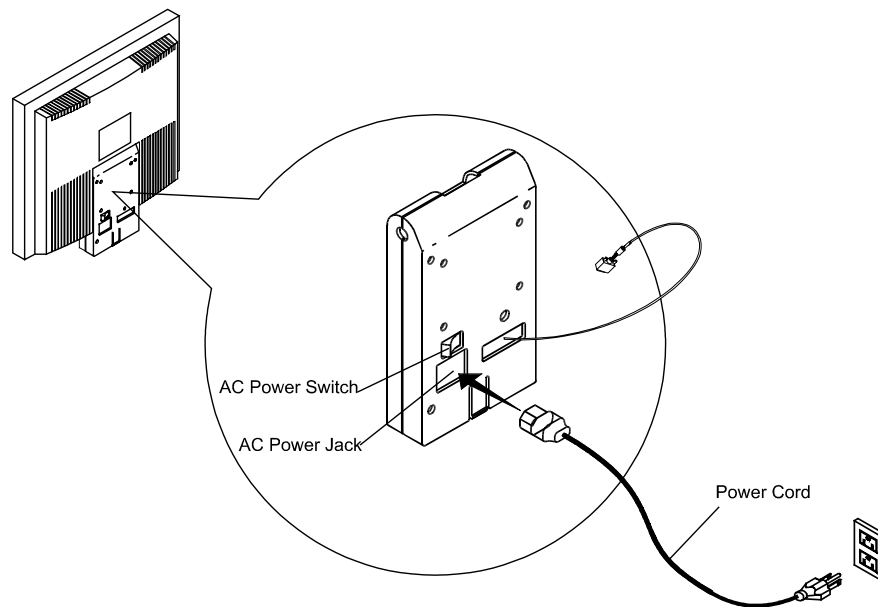


Figure 2-8

2.9 Connecting the Stereo Speakers



Please refer to *Figure 2-9* and following instructions for connecting stereo speakers on this LCD monitor.

1. Connect the sound cable to the “LINE OUT” jack on your PC’s audio card or on CD ROM drive.
2. Connect the other end of the sound cable to LCD Monitor’s “LINE IN” jack on the back cover of LCD monitor.
3. Sound volume of the stereo speakers can be adjusted from the volume control knob located at the central button of LCD monitor front bezel. (*Please see Figure 3-1, page 11 & 12 for location & description of Speaker Volume Control and External Headphone Jack*)

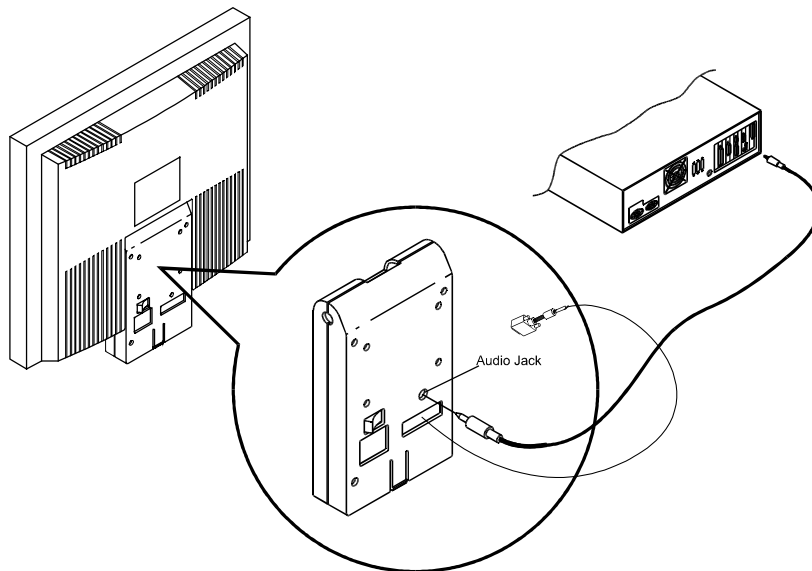


Figure 2-9

2.10 Setting Up The LCD Monitor

Please follow the steps below to set up the LCD Monitor.

1. Ensure LCD Monitor has been connected AC Power.
(Please refer to section 2.8 for details).
2. Turn on LCD Monitor's AC Power Switch which is located at the rear of the Monitor.
3. Press LCD Monitor's DC Power Switch which is located at the front bezel. (Please refer to *Figure 3-1* at page 11 & 12 for description of DC Power Switch and DC Power-On Indicator.)

2.11 Power Management System

This LCD Monitor complies with the VESA DPMS (version 1.0p) power management proposal. The VESA DPMS proposal provides four phases of power saving modes by detecting horizontal or vertical sync signal. Please refer to Power Management section of Specification on Appendix for power consumption at each different mode.

When LCD Monitor is in the power saving mode or detects an incorrect timing, Monitor screen will be blank and power LED indicator shows color in amber.



Display Controls

3.1 User Controls and Indicator

Operation of LCD Monitor is quite simple due to its intuitive, ergonomic design. A description for each of LCD Monitor function controls and indicator is provided below. *Figure 3-1* shows the function controls as seen on the front panel of the Monitor.

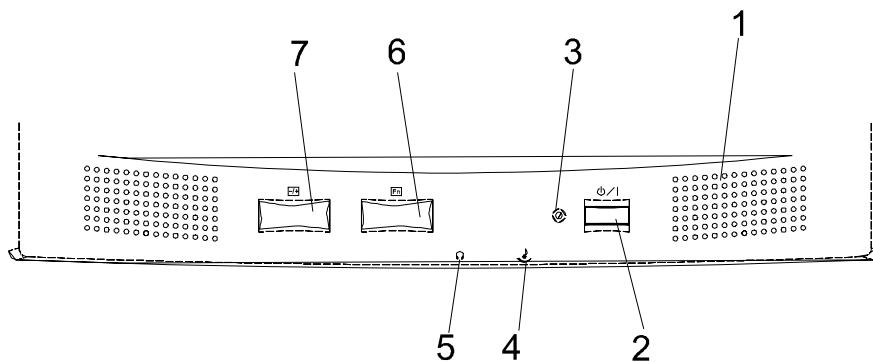


Figure 3-1: Function Controls and Indicator

1. **Stereo Speakers**
You can enjoy your PC audio stereo output from these speakers.
2. **DC Power Switch**
Push the power switch to turn Monitor on. Push it again to turn Monitor off.
3. **DC Power-On Indicator**
This LED indicator lights in green color when the power is on and in yellow color when its power is off. Power LED indicator shows color in amber while LCD Monitor is in power saving mode status.
4. **Speaker Volume Control**
This dial controls the audio volume of the LCD Monitor's speakers. Turn the dial clockwise to increase the volume. Turn the dial counterclockwise to decrease the volume.
5. **External Headphone Jack**
You can connect external headphones or speakers to this jack to enjoy audio output. When external headphones or speakers are connected to this jack, the Monitor's speakers are disabled.
6. **Brightness Increment**
Press the control button to increase the brightness to the desired level.
7. **Brightness Decrement**
Press the control button to lower the brightness to the desired level.